



A Series

Locks & latches



Fire Rated: Tested on fire door assemblies in accordance with Australian Standards, refer fire door manufacturer for specific approval details

Since Schlage invented the key-in-knob lock in 1925, the A Series has been considered the standard of excellence in the industry. Worldwide acceptance is testimony to the quality, precision and design of Schlage locks.

The A Series mechanisms are precision made of high-strength steel, plated for superior corrosion resistance and maintenance free performance. A wide variety of functions are offered in a choice of knob designs. This series is ideally suited for quality residential and commercial buildings.

Features

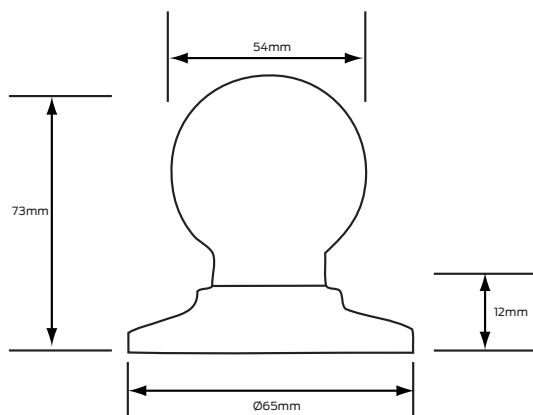
- Key removable outside knob for quick and easy cylinder replacement and keying
- Cylindrical housing: internal cold rolled steel mechanisms are corrosion treated for normal atmospheric conditions
- Cold rolled steel, machined, threaded hubs and locking nuts prevent loosening of the lockset by bolting chassis to the door
- Heavy duty cast mounting plate with specially tapped holes keeps lockset tight on door
- Long spindle bearing surfaces prevent knobs from rattling
- Snap-on inside rose conceals mounting plate and screws
- Patented door range adjuster allows quick and easy adjustment of the A Series for 35mm to 48mm thick doors
- Tested in excess of 400,000 operating cycles
- The 10 year warranty provides specifiers and users with assured quality and performance

Specification guide

Function	Knob	Finish
Passage latch A10S	Orbit ORB	Satin chrome plate SCP
Exit lock A25D	Plymouth PLY	
Patio lock A30D		
Privacy latch A40S		
Entrance lock A53PD		
Classroom lock A70PD		
Storeroom lock A80PD		
Hotel/motel lock A85PD		
Single dummy trim A170		

- Function
Select the desired function e.g. Exit lock A25D
- Knob
Select the required knob design A25DPLY
- Finish
Select the desired finish e.g. Satin chrome plate A25DPLYSCP

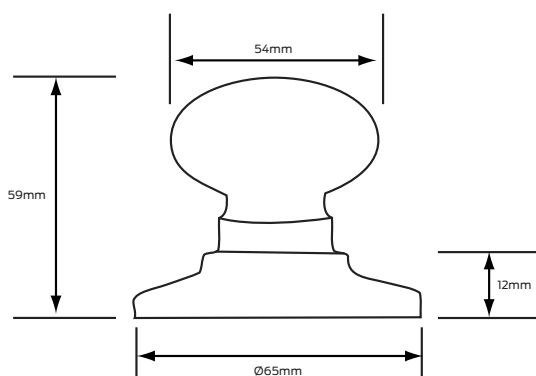
Orbit



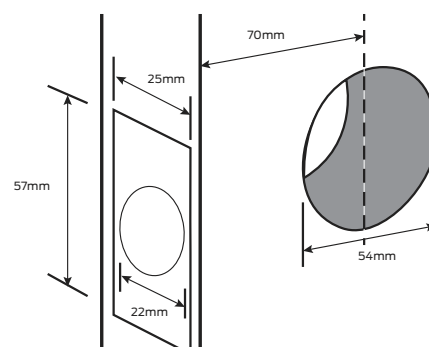
Specifications

Door type	Timber or metal
Door thickness	35mm to 48mm
Chassis	Cold rolled steel, dichromate plated for corrosion resistance
Knob	Wrought brass
Forend	Stainless steel
Bolt	Brass
Strike plate	Steel
Backsets	70mm latch standard. 60mm, 95mm and 127mm backsets available
Key cylinder	Schlage C6 pin keyway standard Schlage E6 pin keyway optional Schlage Everest D keyway optional
Finish	Satin chrome plate
Warranty	10 year mechanical

Plymouth



Door preparation



Schlage A Series non-keyed

Function	Outside	Inside
A10S - Passage latch Both knobs always unlocked		
A25D - Exit lock Blank plate outside Inside knob always unlocked		
A30D - Patio lock Push-button locking. Turning inside knob or closing door releases button, preventing lock-out		
A40S - Bath/bedroom privacy lock Push-button locking locks outside knob Turning inside knob or closing door releases button Outside knob has emergency release		
A170 - Single dummy trim Dummy trim for one side of door Used for door pull or as matching inactive trim		

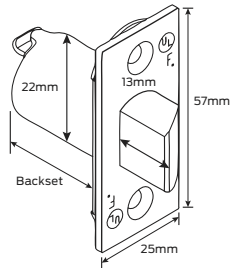
Schlage A Series keyed

Function	Outside	Inside
A53PD - Entrance lock Turn/push-button locking: pushing and turning button locks outside knob requiring use of key until button is manually unlocked Push-button locking: pushing button locks outside knob until unlocked by key or by turning inside knob		
A70PD - Classroom lock Outside knob locked and unlocked by key Inside knob always unlocked		
A80PD - Storeroom lock Outside knob fixed Entrance by key only Inside knob always unlocked		
A85PD - Hotel/motel lock Outside knob fixed. Entrance by key only. Push-button in inside knob activates visual occupancy indicator, allowing only emergency masterkey to operate. Rotation of inside spanner-button provides lock-out feature by keeping indicator thrown		

Schlage A Series accessories

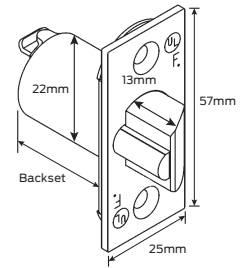
Springlatches

Backset: 60mm, 70mm, 95mm and 127mm
Finish: Satin chrome plate



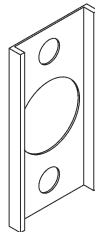
Deadlatches

Backset: 60mm, 70mm, 95mm and 127mm
Finish: Satin chrome plate



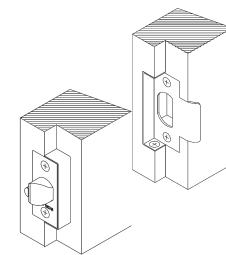
Latch front adapter

Black plastic insert used to convert 25mm latch faceplates for 29mm wide door preparations



Rebate kit

This kit adapts latches and strikes for 13mm rebated door and frame preparations



Strikes

Dimensions: 29mm x 70mm x 2mm
Finish: Satin chrome plate
 Optional lip lengths available

